

# SOLENOID CUT-OFF CONTROL TYPE

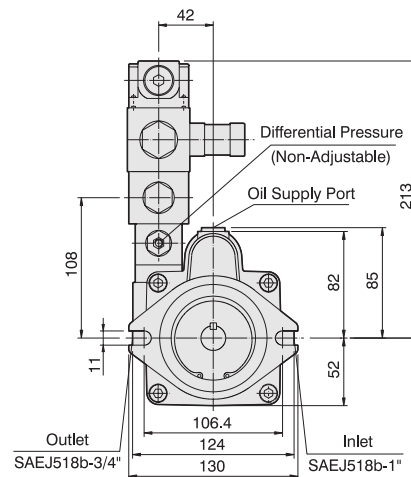
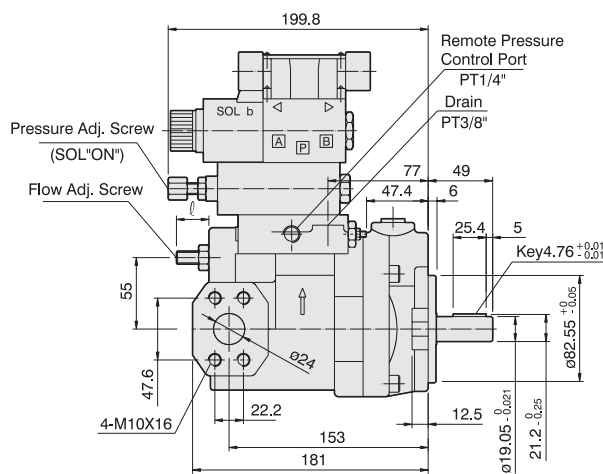
**KCL**® world-best-pumps  
HYDRAULIC EQUIPMENTS

## P16-D3-F-R-01

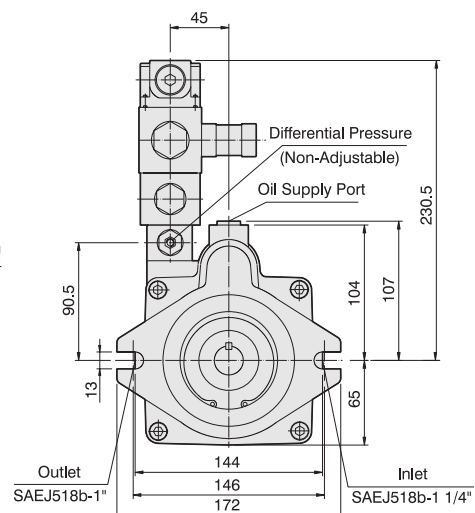
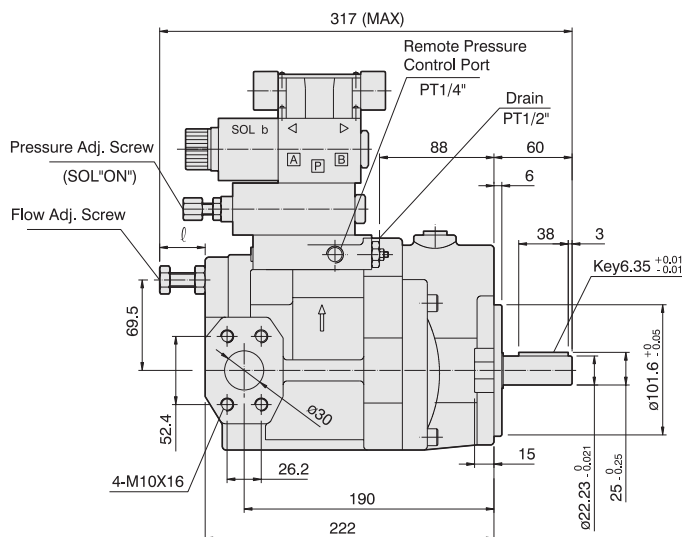
Design code		
Rotation	R : Clockwise(CW)	
Mounting	F : Flange mounting	L : Foot mounting
Pressure adj. range	2 : 30~145 kgf/cm <sup>2</sup>	3 : 30~215 kgf/cm <sup>2</sup>
Solenoid cut-off control type		
Displacement	08, 16, 22, 36, 46, 70, 100, (cm <sup>3</sup> /rev)	



## P16-D-TYPE / P22-D-TYPE



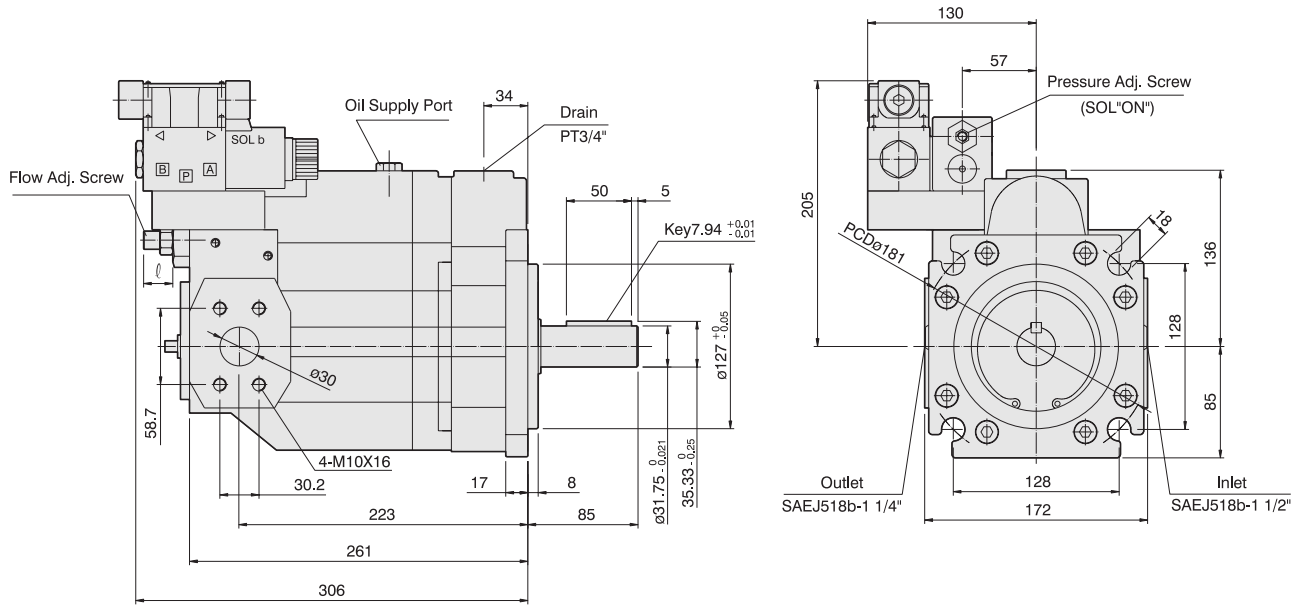
## P36-D-TYPE / P46-D-TYPE



# SOLENOID CUT-OFF CONTROL TYPE

**KCL**® world-best-pumps  
HYDRAULIC EQUIPMENTS

## P70-D-TYPE



## P100-D-TYPE

